



Premier

Complete with adjustable legs and superior features, these housings are available in size 1 and 2.

Key Features

- Heavy duty cast lid with swing-bolt top closure simplifies housing usage and improves operator safety
- Wide range of port options available from 2- 3" BSPT-M and DN flanges
- Supplied complete with two pressure gauges to measure differential pressure (ΔP)



Standard

Available in industry standard sizes 1,2,3 and 4.

Key Features

- Secure V-band clamp closure mechanism
- Adjustable legs fitted as standard
- Corrosion resistant polycoat finish



Bespoke

Tailored engineered housings and components manufactured to suit challenging requirements.

Options

- Inlet and outlet orientation
- Specialist coatings for compatibility
- Custom lined baskets
- Multi-round industrial housings with Davit arm lifting assembly

Inox Bag Housing

Size 1

FDA
Compliant Materials

PED
Compliant
Article 4, Paragraph 3, Group 2 Liquids

DWI
Approved

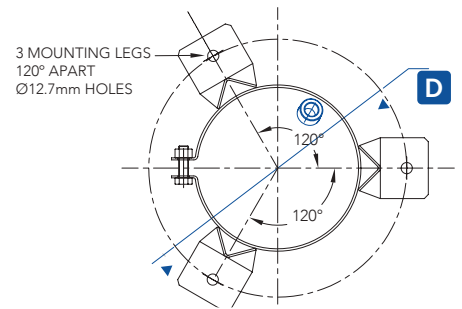
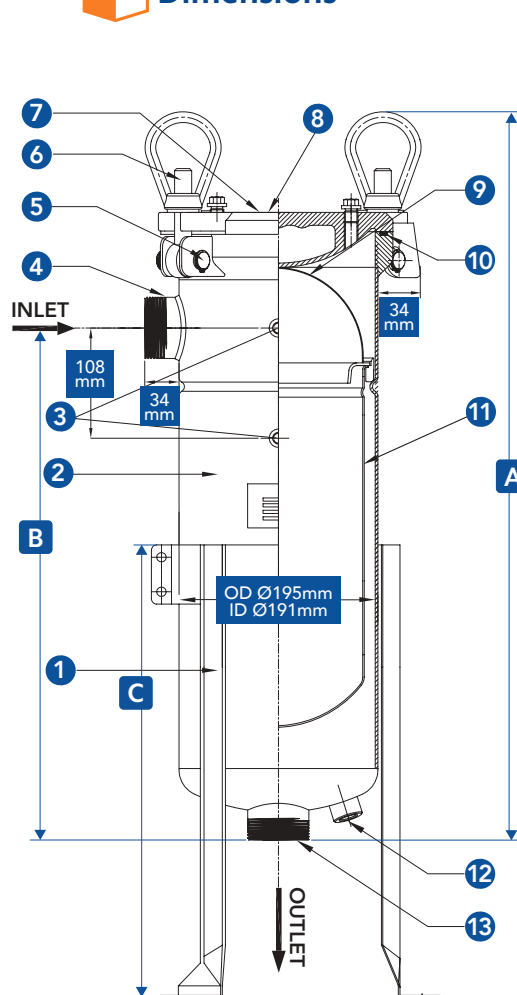
The SPECTRUM size 1 stainless steel housings range come available in both Standard, v-band clamp closure and Premier, swing-bolt configurations. Premier housings come complete with pressure gauges providing essential pressure drop information to effectively monitor system performance.

Up to 300 lpm

Premier Housing (PBH)



Dimensions



No.	Name	Material
1	Adjustable Legs	304 SS
2	Body	316L SS
3	¼" BSPF Gauge Ports with Gauges	316L SS
4	BSPM/Flange Inlet Port	316L SS
5 & 6	Swing-bolt Nut & Pin	316L SS
7	¼" BSPF Vent Port	316L SS
8	Lid	316L SS
9	Bag Hold Down Device	316L SS
10	Lid O-ring	Buna-N
11	Basket (½" Perforated)	316L SS
12	½" BSPF Drain Port	316L SS
13	BSPM/Flange Outlet Port	316L SS



Code	Flow Rate (LPM)	A (mm)	B (mm)	C (mm)	D (mm)
PBH-SPC-1-1-2-GP-ML	300	705	494	560	322.5

Part Number

Code	No. of Bags	Bag Size	Port Size	Gauge Ports	Gauges	Mounting Legs
SBH-SPC-1-1-2-GP-ML	1	1	2" BSPM	✓	Optional	✓
SBH-SPC-1-1-3-GP-ML	1	1	3" BSPM	✓	Optional	✓
PBH-SPC-1-1-2-GP-ML	1	1	2" BSPM	✓	✓	✓
PBH-SPC-1-1-3-GP-ML	1	1	3" BSPM	✓	✓	✓
PBH-SPC-1-1-2F-GP-ML	1	1	2" DN50	✓	✓	✓
PBH-SPC-1-1-3F-GP-ML	1	1	3" DN80	✓	✓	✓

Specification

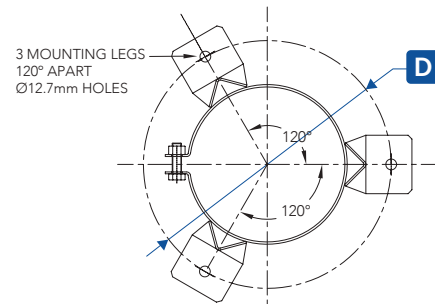
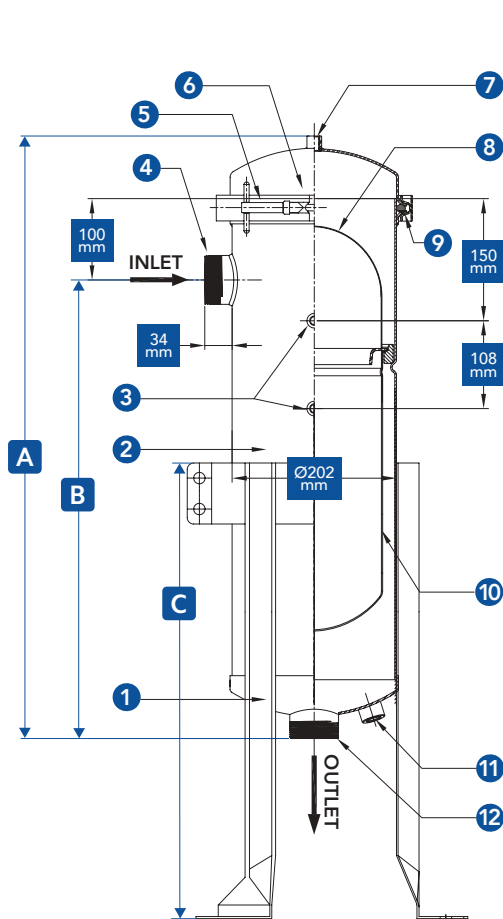
Material
Polycoated 316L Stainless Steel

Temperature Rating
120°C

Pressure Rating
10 bar

Standard Housing (SBH)

Dimensions



No.	Name	Material
1	Adjustable Legs	304 SS
2	Body	316L SS
3	1/4" BSPF Gauge Ports	316L SS
4	BSPM Inlet Port	316L SS
5	V-band Clamp	304 SS
6	Lid	316L SS
7	1/4" BSPF Vent Port	316L SS
8	Bag Hold Down Device	316L SS
9	Lid O-ring	Buna-N
10	Basket (1/2" Perforated)	316L SS
11	1/2" BSPF Drain Port	316L SS
12	BSPM Outlet Port	316L SS

Code	Flow Rate (LPM)	A (mm)	B (mm)	C (mm)	D (mm)
SBH-SPC-1-1-2-GP-ML	300	737	560	560	322.5

Inox Bag Housing

Size 2

FDA
Compliant Materials

PED
Compliant
Article 4, Paragraph 3, Group 2 Liquids

DWI
Approved

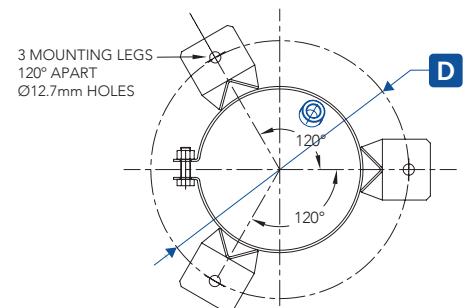
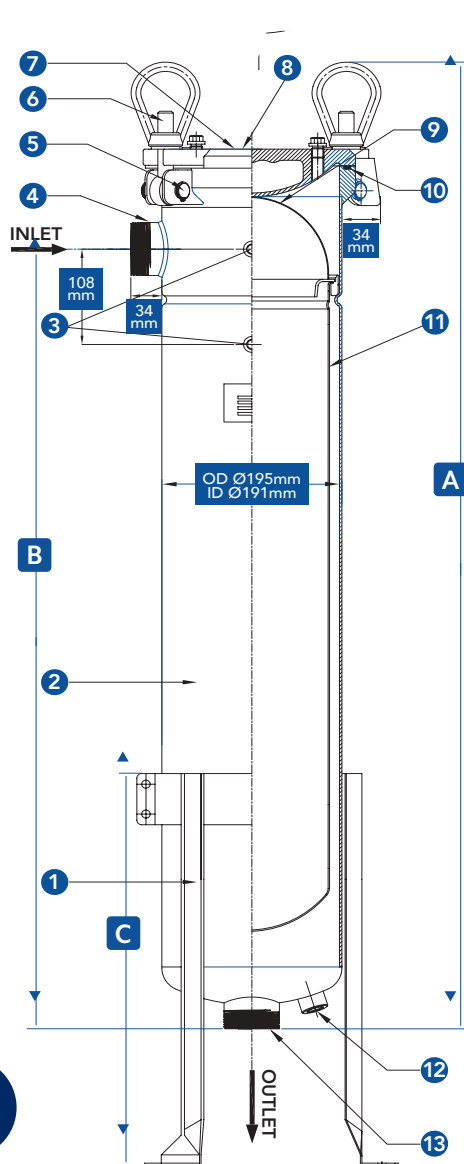
The largest of the single-round range, the size 2 stainless steel bag housings provide a solution to high flow rate and bulk solid removal applications. With high dirt loading capabilities, systems and processes can stay online for longer.

Up to 600 lpm

Premier Housing (PBH)



Dimensions



No.	Name	Material
1	Adjustable Legs	304 SS
2	Body	316L SS
3	¼" BSPF Gauge Ports with Gauges	316L SS
4	BSPM/Flange Inlet Port	316L SS
5&6	Swing-bolt Nut & Pin	316L SS
7	¼" BSPF Vent Port	316L SS
8	Lid	316L SS
9	Bag Hold Down Device	316L SS
10	Lid O-ring	Buna-N
11	Basket (½" Perforated)	316L SS
12	½" BSPF Drain Port	316L SS
13	BSPM/Flange Outlet Port	316L SS



Code	Flow Rate (LPM)	A (mm)	B (mm)	C (mm)	D (mm)
PBH-SPC-1-2-2-GP-ML	600	1095	884	560	322.5

Part Number

Code	No. of Bags	Bag Size	Port Size	Gauge Ports	Gauges	Mounting Legs
SBH-SPC-1-2-2-GP-ML	1	2	2" BSPM	✓	Optional	✓
SBH-SPC-1-2-3-GP-ML	1	2	3" BSPM	✓	Optional	✓
PBH-SPC-1-2-2-GP-ML	1	2	2" BSPM	✓	✓	✓
PBH-SPC-1-2-3-GP-ML	1	2	3" BSPM	✓	✓	✓
PBH-SPC-1-2-2F-GP-ML	1	2	2" DN50	✓	✓	✓
PBH-SPC-1-2-3F-GP-ML	1	2	3" DN80	✓	✓	✓

Specification

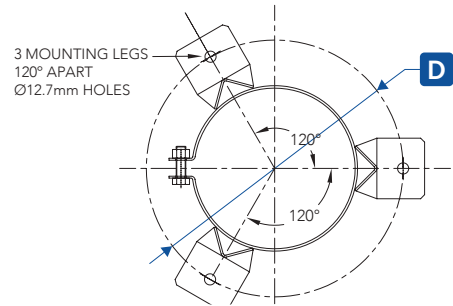
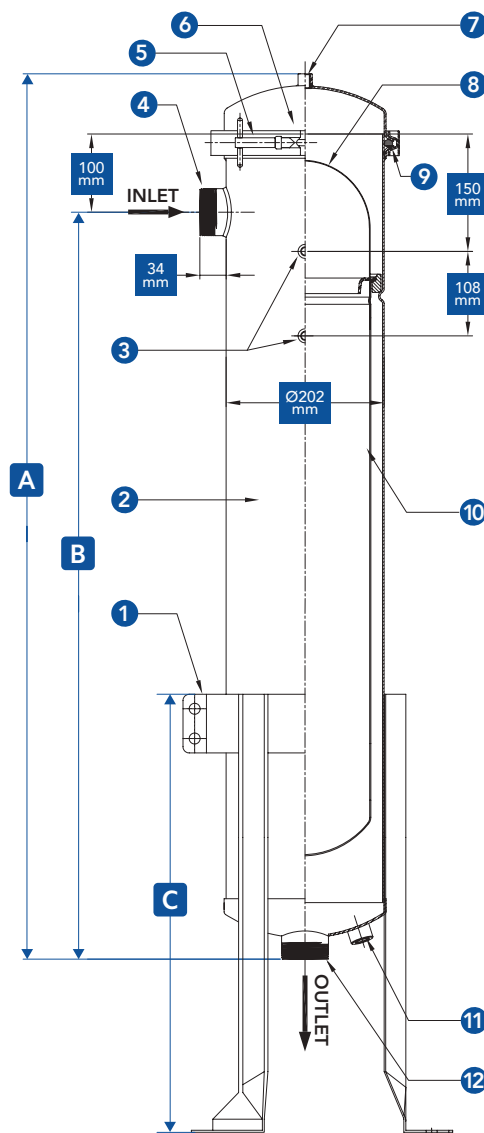
Material
Polycoated 316L Stainless Steel

Temperature Rating
120°C

Pressure Rating
10 bar

Standard Housing (SBH)

Dimensions



No.	Name	Material
1	Adjustable Legs	304 SS
2	Body	316L SS
3	1/4" BSPF Gauge Ports	316L SS
4	BSPM Inlet Port	316L SS
5	V-band Clamp	304 SS
6	Lid	316L SS
7	1/4" BSPF Vent Port	316L SS
8	Bag Hold Down Device	316L SS
9	Lid O-ring	Buna-N
10	Basket (1/8" Perforated)	316L SS
11	1/2" BSPF Drain Port	316L SS
12	BSPM Outlet Port	316L SS

Code	Flow Rate (LPM)	A (mm)	B (mm)	C (mm)	D (mm)
SBH-SPC-1-2-2-GP-ML	600	1132	955	560	322.5

Inox Bag Housing

Size 3 & 4

FDA
Compliant Materials

PED
Compliant
Article 4, Paragraph 3, Group 2 Liquids

DWI
Approved

Size 3 and 4 bag filters are ideally suited to batch processes or multi-line applications where economic costs and frequent changeouts are required. The reduced footprint of a size 3 and 4 bag housing also makes these suitable for applications with space limitations.

Up to 150 lpm



 **SPECTRUM**

Part Number

Code	No. of Bags	Bag Size	Port Size	Gauge Ports	Gauges	Mounting Legs
SBH-SPC-1-3-1.5-GP-ML	1	3	1.5"	✓	Optional	✓
SBH-SPC-1-4-1.5-GP-ML	1	4	1.5"	✓	Optional	✓

Specification

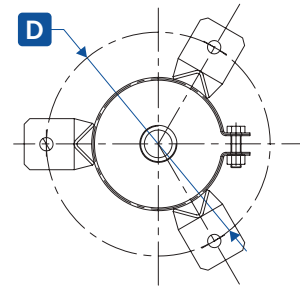
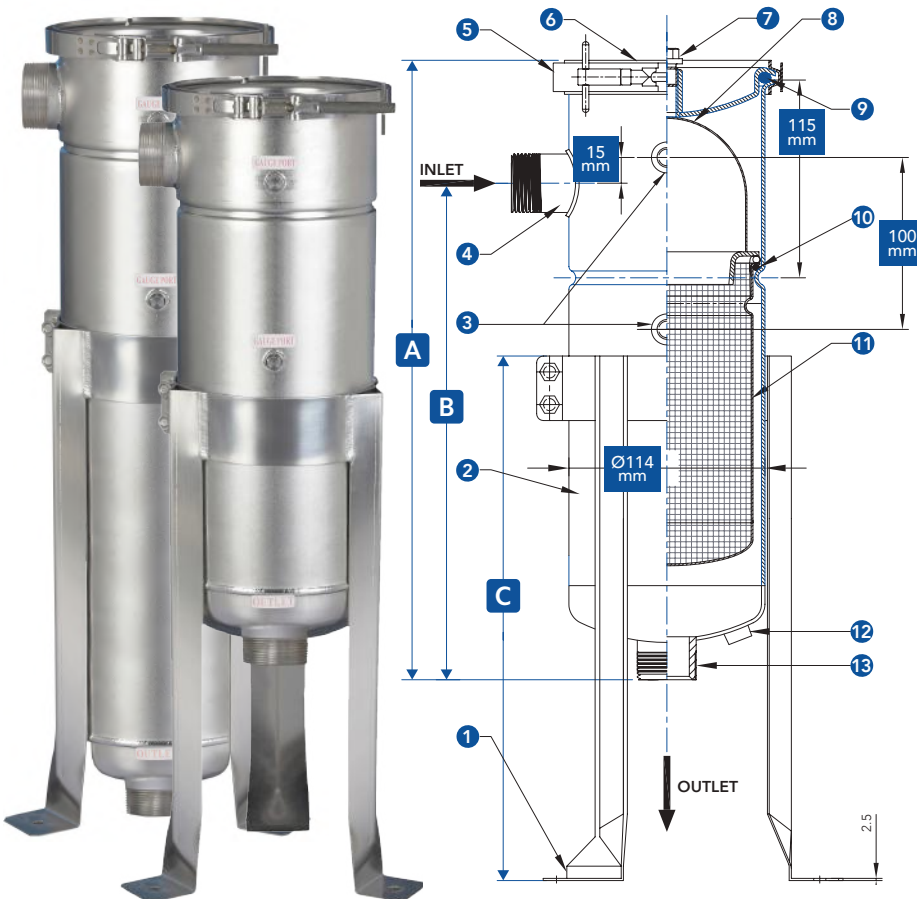
Material
Polycoated 316L Stainless Steel

Temperature Rating
120°C

Pressure Rating
10 bar

Standard Housing (SBH)

Dimensions



No.	Name	Material
1	Adjustable Legs	304 SS
2	Body	316L SS
3	¼" BSPF Gauge Ports	316L SS
4	BSPM Inlet Port	316L SS
5	V-band Clamp	304 SS
6	Lid	316L SS
7	¼" BSPF Vent Port	316L SS
8	Bag Hold Down Device	316L SS
9&10	Lid O-ring & Basket Seal	Buna-N
11	Basket (½" Perforated)	316L SS
12	½" BSPF Drain Port	316L SS
13	BSPM Outlet Port	316L SS

Code	Flow Rate (LPM)	A (mm)	B (mm)	C (mm)	D (mm)
SBH-SPC-1-3-1.5-GP-ML	75	370	299	305	194
SBH-SPC-1-4-1.5-GP-ML	150	525	454	305	194