

Part Number

Product Code	Housing Size	Port Size	Flow (lpm)	Box Qty
PBH-410-1	10"BB	1 NPT	50	4
PBH-410-1.5	10"BB	1½ BSP	50	4
PBH-420-1	20"BB	1 NPT	100	2
PBH-420-1.5	20"BB	1½ BSP	100	2

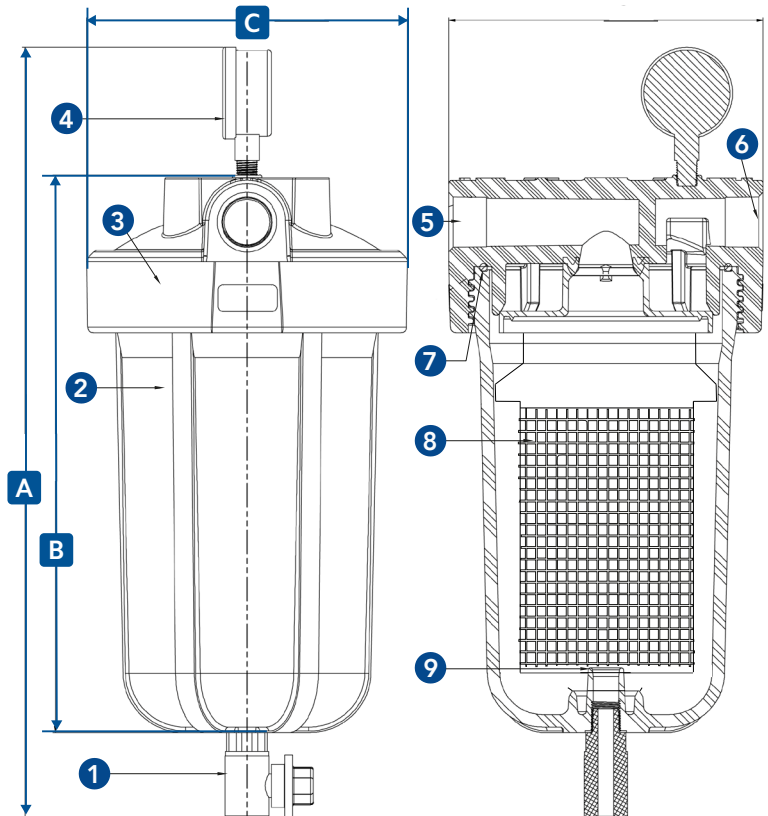
Specification

Pressure Rating
10" = 6.9 bar 20" = 6.2 bar

Material
Polypropylene

Temperature Rating
38°C

Dimensions



No.	Name	Material	No.	Name	Material
1	Ball Valve	PVC/Buna-N seals	6	Outlet	Polypropylene
2	Body	Polypropylene	7	O-ring	EPDM
3	Lid	Polypropylene (HFPP)	8	Basket	Polypropylene
4	Pressure Gauge	Bismuth Brass (Lead free)	9	Basket Gasket	Santoprene
5	Inlet	Polypropylene			

Code	A (mm)	B (mm)	C (mm)
PBH-410	457	330	189
PBH-420	724	597	189